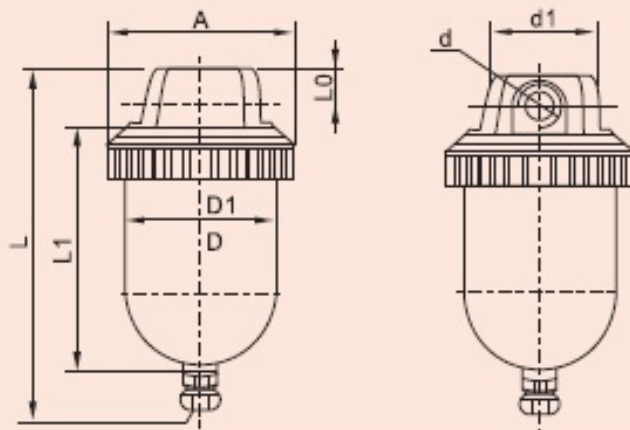




QSL-15

Outline dimensions

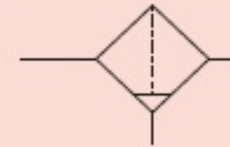


Q series air filter

Reference model

QSL	-	15
Series code		Port size
		08:1/4"
		10:3/8"
		15:1/2"
		20:3/4"
		25:1"
		40:1 1/2"
		50:2"

Symbol:



Technical specifications

Model	QSL-08	QSL-10	QSL-15	QSL-20	QSL-25	QSL-40	QSL-50
Port size	1/4"	3/8"	1/2"	3/4"	1"	1/2"	2"
Working medium	Air						
Guaranteed withstand pressure	15.0kgf/cm ²						
Ambient temperature	5-60°C						
Filtration accuracy	40 μM						
Weight (kg)							
Material of main parts	Body	Aluminum alloy					
	Bowl	PC					

Model	Port size	A	D	D1	d	L0	L1	L
QSL-08	1/4"	90	φ70	φ88	φ34	14	114	160
QSL-10	3/8"	90	φ70	φ88	φ34	14	114	160
QSL-15	1/2"	90	φ70	φ88	φ34	14	114	160
QSL-20	3/4"	115	φ90	φ110	φ60	21	151	215
QSL-25	1"	115	φ90	φ110	φ60	21	151	215
QSL-40	1 1/2"	132	φ90	φ130	φ60	32	228	310